

**FAIRFIELD TOWNSHIP
RESOLUTION NO. 17-110**

**RESOLUTION TO APPROVE THE PURCHASE OF REPLACEMENT WINDOWS AT THE
POLICE DEPARTMENT FROM GILKEY WINDOW COMPANY AT A TOTAL COST
NOT TO EXCEED \$11,000.00.**

WHEREAS: The Police Chief has determined a need for replacement windows at the Police Department; and

WHEREAS: Estimates were received and Gilkey Window Company was the vendor chosen based on their price, quality and service reputation; and

WHEREAS: The replacement windows will be purchased out of Fund #2191;

NOW, THEREFORE, BE IT RESOLVED, by the Board of Trustees of Fairfield Township, Butler County, Ohio, as follows;

SECTION 1: The Board hereby authorizes the purchase of replacement windows at the Police Department from Gilkey Window Company, 3625 Hauck Road, Cincinnati, OH 45241, for a total cost not to exceed \$11,000.00 as described in Attachment "A".

SECTION 2: The Board hereby dispenses with the requirement that this resolution be read on two separate days, pursuant to RC 504.10, and authorizes the adoption of this resolution upon its first reading.

SECTION 3: This resolution is the subject of the general authority granted to the Board of Trustees through the Ohio Revised Code and not the specific authority granted to the Board of Trustees through the status as a Limited Home Rule Township.

SECTION 4: That it is hereby found and determined that all formal actions of this Board concerning and relating to the passage of this Resolution were taken in meetings open to the public, in compliance with all legal requirements including §121.22 of the Ohio Revised Code.

SECTION 5: This resolution shall take effect at the earliest period allowed by law.

Adopted: October 25, 2017

Board of Trustees

Susan Berding: *Susan Berding*

Shannon Hartkemeyer: *Shannon Hartkemeyer*

Joe McAbee: *Joe McAbee*

Vote of Trustees

yes

yes

yes

AUTHENTICATION

This is to certify that this is a resolution which was duly passed, and filed with the Fairfield Township Fiscal Officer this 25th day of October, 2017.

ATTEST:

Nancy A. Bock
Nancy Bock, Fairfield Township Fiscal Officer

APPROVED AS TO FORM:

L.E. Barbieri
Lawrence E. Barbieri, Township Law Director

The following is a summary of the quotes:

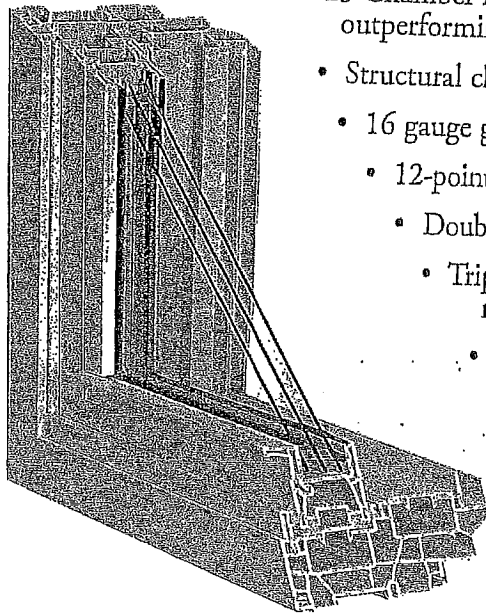
1. Schofield Window and Door Company, 315 South B St., Hamilton, Ohio 45013, telephone: 513-863-8932, Sales Consultant: Paul Goos
 - a. \$8,250.00
 - b. Does not include any type of protective adhesive (lamine)
 - c. This vendor was not timely in responding to our request and they purchase already manufactured builders-grade windows from local hardware stores
 - d. No inquiry made for laminate based on above
2. Gilkey Window Company, 3625 Hauck Rd., Cincinnati, Ohio 45241, telephone: 513-814-6657, Sales Consultant: Chris Ertel
 - a. \$7402.00
 - b. They are able to laminate the glass for an additional \$3,172.00, for a total of **\$10,574.00**
 - c. This vendor manufactures their own windows locally and use a honeycomb insulation system
3. Champion Window Company of Cincinnati, 12121 Champion Way, Cincinnati, Ohio 45241, telephone: 513-479-2050, Sales Consultant: Matt Hiudt
 - a. \$8,544.00
 - b. They are able to laminate the glass for an additional \$4,136.00 for a grand total of **\$12,680.00**
 - c. The company manufactures the window in Cincinnati and uses foam insulation within the window frame and around the frame/wall.

After thorough review and research, I request that the Gilkey Window Company be authorized to replace the 11 windows based on their price, quality and service reputation for **\$10,574.00**.

I have attached invoices and additional information for your review.


Robert Chabali
Chief of Police

Check Out the Superior Quality-Point by Point



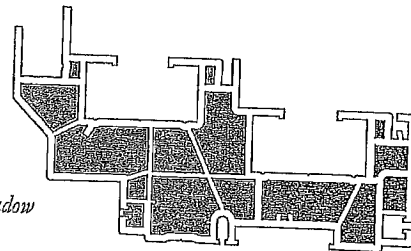
- 23 Chamber honeycomb frame design gives our windows superior insulation and strength outperforming all other foam filled designs
- Structural chambers dramatically improve noise deadening properties
- 16 gauge galvanized steel reinforced sash rails
- 12-point fusion welded corners gives over 2.5 sq inches of welding surface area per corner
- Double-walled interior glazing bead designed to withstand wind speeds up to 225 mph
- Triple fin Aller-Guard weather-stripping with Microban® to resist mold, mildew and bacterial growth. Over 600" on an 84 UI window
- Design Pressure Ratings up to DP70 on Double Hung and DP85 on Casement window styles
- A superior installation process performed by factory trained Gilkey craftsmen
- Factory Direct Lifetime Warranty including parts, labor and installation that is transferrable
- Gilkey provides the only vinyl windows designed and built in North America that meet European building codes.

The Magic of Multichambers

Gilkey multichamber profiles have more chambers than any competing product.

Transition from hot to cold inside the structure is gradual. The system provides superior thermal insulation and the frame is deformation-proof.

The multiple air chambers provide excellent sound abatement.



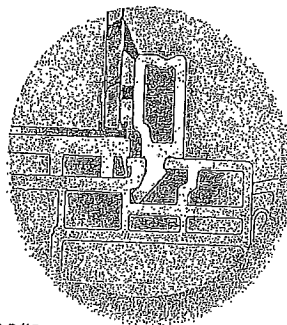
Double hung window

-86° F Extreme Cold 68° F Inside Heating

Gilkey's Exclusive Material

Gilkey windows are made from an exclusive, 100% virgin uPVC powder compound that is entirely lead-free.

This special compound gives you the ultimate in colorfastness and UV protection. Our proprietary blend has twice the amount of Titanium Dioxide than the industry minimum for better resistance to impact and discoloration.



Rugged Glazing Bead

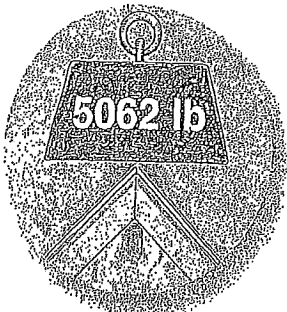
- *The glazing bead is designed to withstand extreme conditions such as winds of 225 mph.*
- *Located inside, the glazing bead provides greater security and facilitates any glazing replacement.*
- *Remember, if the wind can't get in, there's a much better chance your roof will stay on during a severe storm. You, your family, and your home are much more protected when the weather turns against you.*

Fusion-Welded Corners

- *Fusion welding provides a more attractive appearance and eliminates the need for adhesives and sealants.*
- *There are no imperfections on the completely watertight and airtight surface.*
- *Internal walls are also welded for increased overall structural strength.*

Designed to Make Life Easier

- *Depending on the model, casement open a full 90° and sashes tilt in for easy cleaning.*
- *Opening mechanism and lock parts come in a corrosion-proof finish for greater durability.*

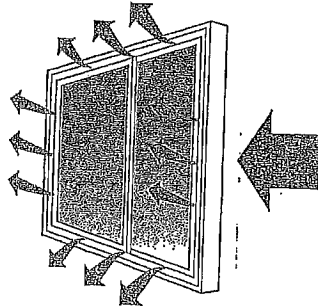


Gilkey Window Performance

Air Resistance

Airtightness is measured by applying 75 pascals of pressure – the equivalent of a steady 25 mph wind – to the outside of the window. Interior air infiltration is then measured in cubic feet per minute per foot of window joint.

VOLUME OF INFILTRATION	WINDOW TYPE
0.002 cu. ft./min./joint ft.	Gilkey fixed casement and awning windows
0.036 cu. ft./min./joint ft.	Gilkey sliding and hung windows
0.1 cu. ft./min./joint ft.	High end
0.3 cu. ft./min./joint ft.	Mid range
0.5 cu. ft./min./joint ft.	Low end

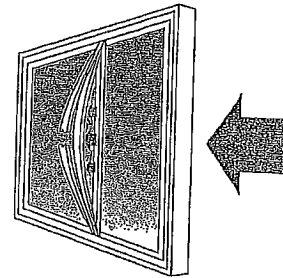


Wind Resistance

This test measures the wind pressure a 30" x 72" window can withstand without suffering breakage (structural shattering) or permanent damage (structural deformation). The chart below shows the DP (Design Pressure) ratings or the highest wind loads a window withstands.

WIND VELOCITY	GRADE (USA)	WINDOW TYPE
220 mph	DP 85	Gilkey fixed casement and awning windows
205 mph	DP 70	Gilkey sliding and hung windows
180 mph	DP 55	High end
160 mph	DP 40	Mid range
130 mph	DP 30	Low end

* Beyond the scope of the standard

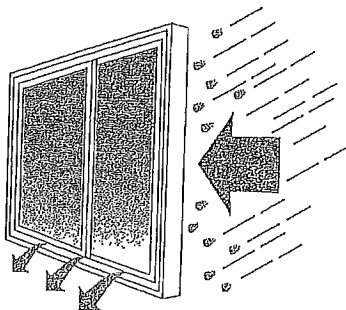


Water Resistance

Watertightness is measured by projecting the equivalent of 5 U.S. gallons of water per hour per square foot of window area – the equivalent of 8 in. of rain in 1 hour. Air pressure is increased to simulate winds varying between 35 and 76 mph. Rating indicate the pressure attained without any interior water leakage.

WIND PRESSURE	GRADE (USA)	WINDOW TYPE
700 pascals (14.6 psf)	DP 85	Gilkey fixed casement and awning windows
400 pascals (8.4 psf)	DP 55	Gilkey sliding and hung windows
300 pascals (6.3 psf)	DP 40	Mid range
200 pascals (4.2 psf)	DP 30	Low end

* Beyond the scope of the standard



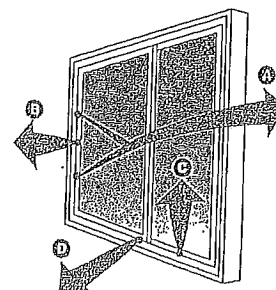
Forced Entry

This test reproduces the efforts of a well-equipped individual attempting to force entry. The test has three phases. Testers begin by trying to force open the window using tools like a knife blade, screwdriver, and wire. They then attach a cable to strategic points on the window and apply increasing loads. If the window continues to resist, they use tools again in a third attempt.

Windows rated F1 have a locking system, but have not been tested for forced entry.

Windows rated F2 have successfully passed the test at level 10. Gilkey windows are rated F2, level 40.

RATING LEVEL	WINDOW TYPE
Level 40 - 300 lb	Gilkey windows
Level 30 - 250 lb	High end
Level 20 - 200 lb	Mid range
Level 10 - 150 lb	Low end



LOAD ORIENTATION

- A Parallel to the window from the handle
- B Perpendicular to the window from the handle, first by pulling then by pushing
- C Parallel to the window at center of the sash, from the bottom upward
- D Perpendicular to the window where sashes meet, toward the interior

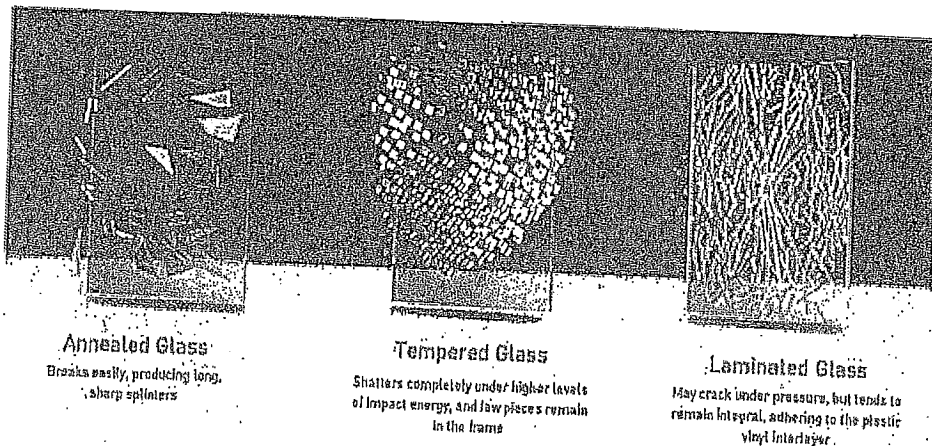
The results are from national tests under the following standards:
AAMA NWDA 1011.S2-97



Safety, security and serenity

Ordinary annealed glass breaks easily. Tempered glass, while stronger, shatters under a greater impact. But laminated glass is different. If laminated glass is broken, the vinyl interlayer remains in the frame, with glass fragments adhering to the interlayer. This provides a strong barrier against forced entry and cannot be cut from one side only, which renders glasscutters useless.

Cardinal's laminated glass meets rigorous industry codes, including the American Society of Testing Materials standard for preventing forced entry (ASTM F1233) and the burglary resistant guidelines issued by Underwriters Laboratories (UL972). Our laminated glass is customized to meet the requirements of any security application, providing the best options available.





Planes, trains and automobiles

The world gets noisier every day. Laminated glass is an effective way to reduce unwanted outside noise. This is especially useful in areas near airports, industry, traffic, or wherever unpleasant sounds exist.

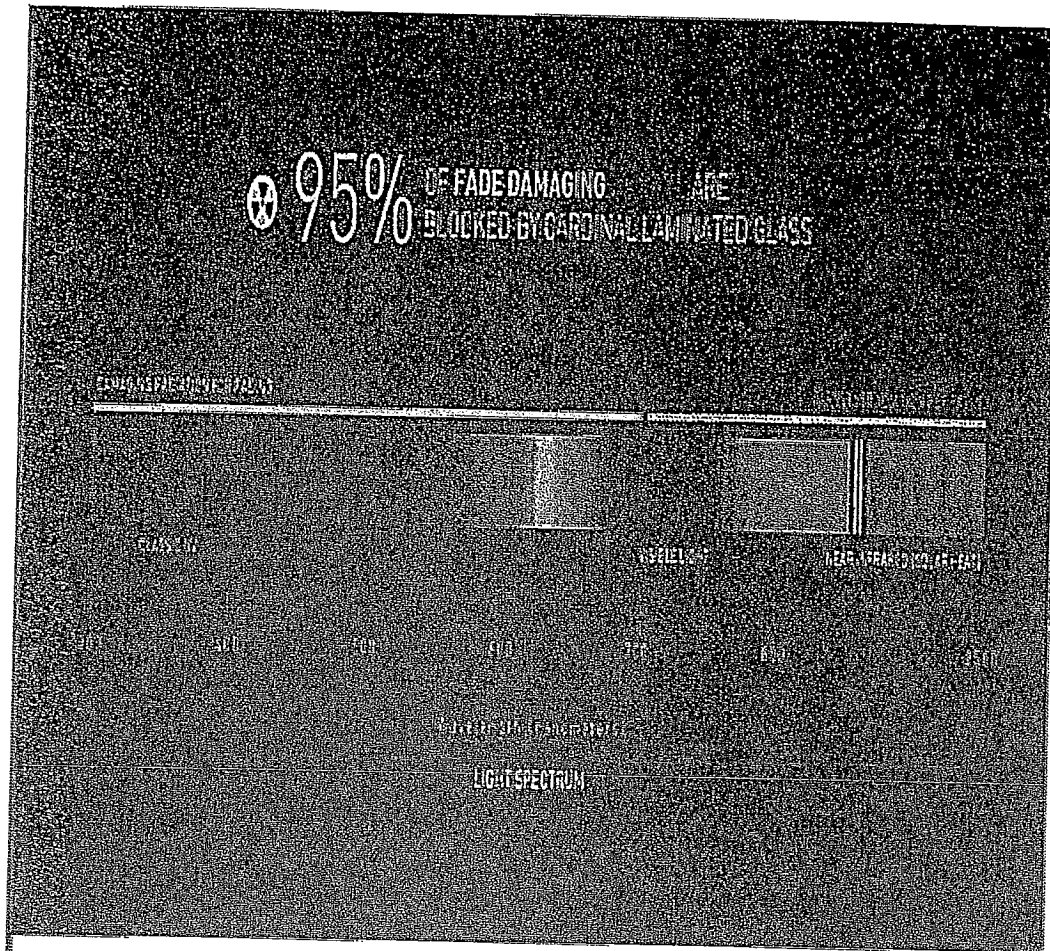
The American Society for Testing and Materials (ASTM) developed the Outdoor/Indoor Transmission Class (OITC) to describe the sound isolation performance of materials. A higher OITC rating indicates a greater sound dampening effect.

Laminated glass increases the OITC rating of a window, diminishing unwanted outside noises. When combined with an IG unit, the acoustical benefits to your windows increase – and a double-laminated IG unit provides maximum sound protection.

ACOUSTICAL PROPERTIES

GLASS TYPE	ACOUSTIC PERFORMANCE	OITC RATING
Single pane 3mm insollible	POOR	21-22*
IG: 3mm insollible - 1/2" gap - 3mm insollible	MODERATE	23-24*
IG: 3mm insollible - 1/2" gap - 6mm lami	BETTER	26-27*
IG: 6mm lami - 1/2" gap - 6mm lami	BEST	28-29*

** Numbers are estimated.*

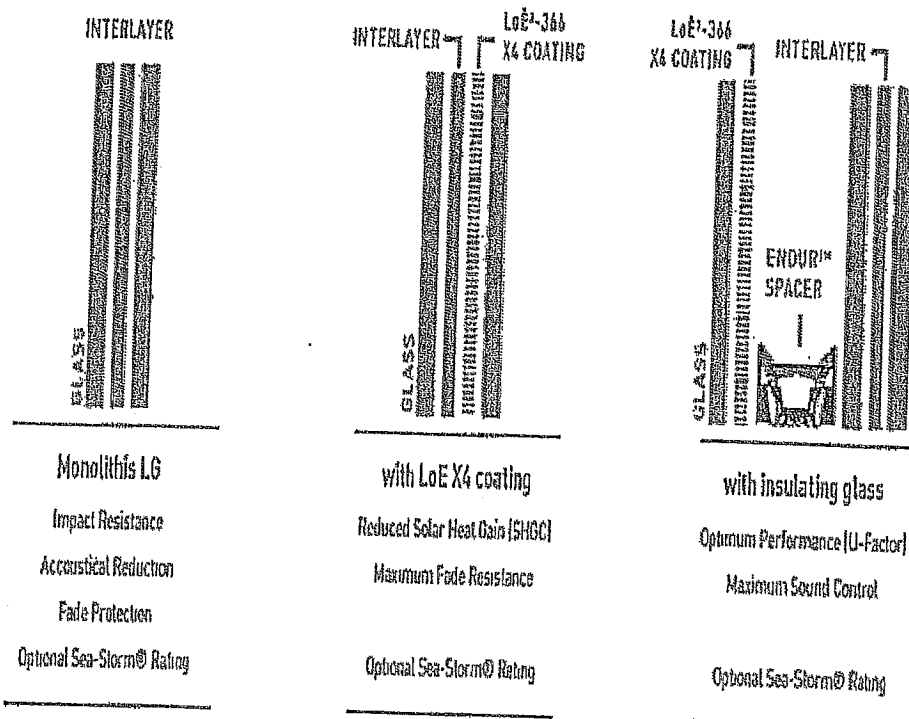


Resists intense impact.

During windstorms and hurricanes, windborne debris is common, and following impact, windows may be subjected to sustained, gusting winds. Sea-Storm® laminated glass is crafted to offer a high level of impact resistance and remain integral in the window envelope even after glass breakage.



When you add laminated glass



HOW TO GET WINDOWS WITH LAMINATED GLASS

Many window manufacturers provide laminated glass in their configurations. Please contact your window supplier, builder or architect on how to obtain Cardinal's laminated glass in your next window purchase.